

老外修改版本，是在“无刷消费套件-黑五/英文版”的基础上修改的。

## Components

- 1 × Meteor75 Micro FPV Quadcopter (LiteSilver Flight Controller V2)
- 1 × LiteRadio 2 SE Remote Control Radio Transmitter (Frsky D16 FCC protocol)
- 1 × BETA FPV VR01 FPV Goggles

### Box Contents

- 2 × 450mAh 1S Lipo Battery (BT2.0)
- 1 × BT2.0 Battery Charger and Voltage Tester
- 1 × USB Charging Cable
- 2 × Goggle Antennas
- 1 × Prop Removal Tool
- 4 × 40mm 3-Blade Prop (Replacement)
- 1 × Portable Storage Bag

## Operation Manual

### Preflight Checks

1. Verify that all components are included and without damage.
2. Verify that propellers and motors are installed correctly.
3. Ensure propellers do not scratch against frame ducts and motors spin smoothly.
4. Verify (batteries of quadcopter, remote control radio transmitter and FPV goggles) are fully charged.
5. Be sure you are familiar with all flight controls. (See “Remote Control Radio Transmitter” ).
6. Always keep a safe distance in all directions around the quadcopter to avoid collisions. Operate the quadcopter in open space away from people and traffic.

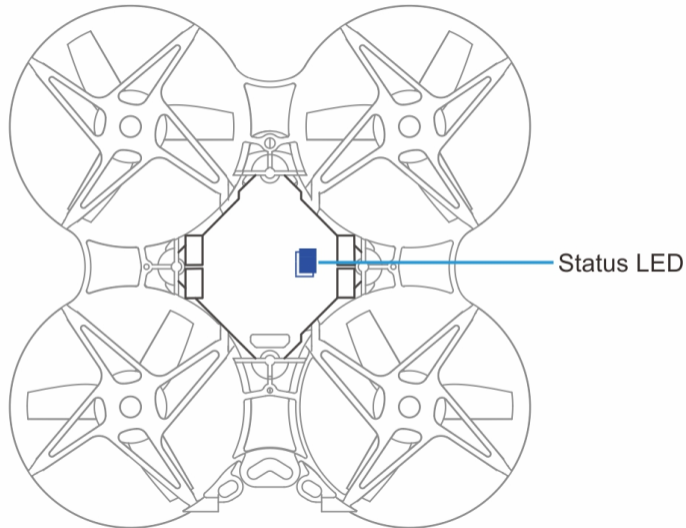
### Quick Start

Before flying, verify that the transmitter successfully connects to the quadcopter, all basic controls are functional, and that the quadcopter can take off normally.

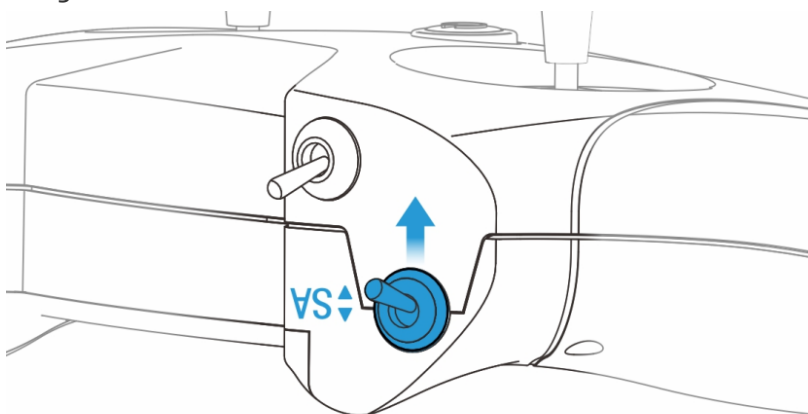
- Step 1: On the remote control radio transmitter, set the "throttle" joystick and four switches to the lowest setting. Long press the power button on the transmitter for 3 seconds until it beeps three times then release. The Remote

control radio transmitter power indicator will quickly flash red, then remain blue.

- Step 2: Install the battery into the battery mounting slot under the quadcopter, connect the battery cable between quadcopter and batter, then place the quadcopter on a level floor. Wait for 5-8 seconds until it beeps twice. The quadcopter's status LED light will remain blue.



- Step 3: Move switch SA up to arm the quadcopter. The throttle joystick must be at the lowest position or the quadcopter will not arm, the motors will spin slowly. Move switch SA down to disarm the quadcopter or before trying to arm again.



Push Up to Arm the Quadcopter

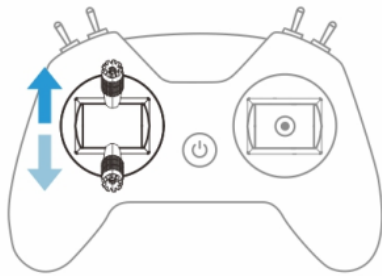
These steps verify that the quadcopter and remote control radio transmitter are working. Proceed with flight operation

## Flight Operation

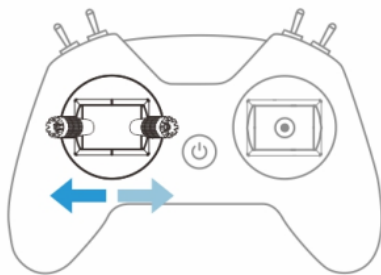
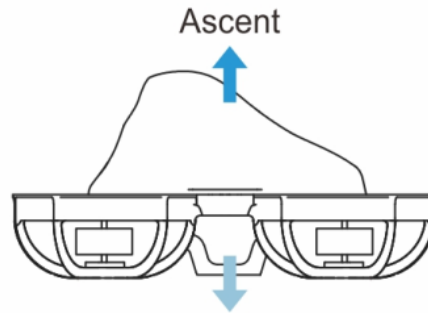
- Step 4: Re-arm quadcopter step 3. Motors will spin at a low speed.

Throttle (left) Joystick:

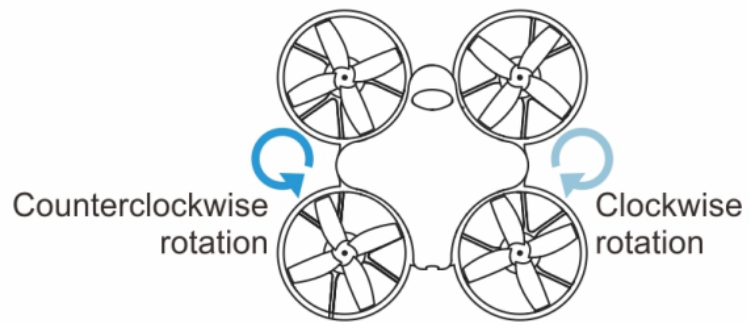
- Up/down controls rate of ascent/ descent.
- Left/Right controls counterclockwise/ clockwise rotation.



Joystick up/down

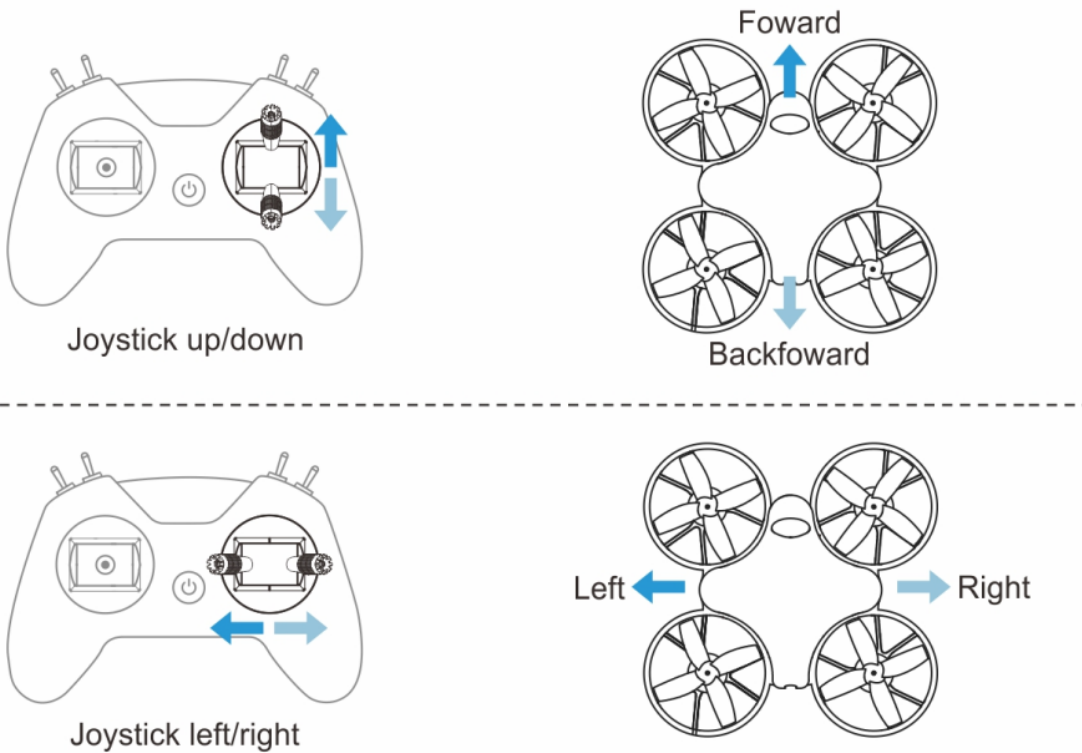


Joystick left/right



Direction (right) Joystick:

- Up/down controls forward/ backward tilt angle
- Left/right controls left/ right tilt angle.

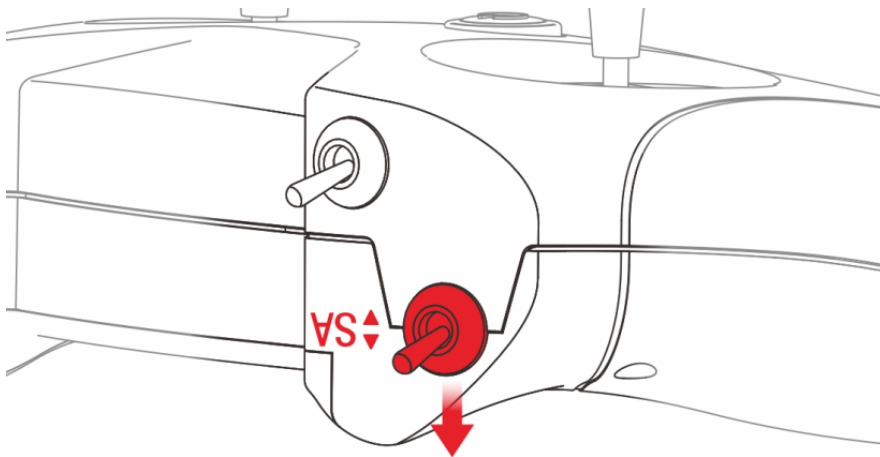


Before flying with goggles, it is recommended to practice and become familiar with the controls and sensitivity of the joysticks by standing behind the quadcopter and hovering in front of you.

*Caution:*

1. Find a suitable area for flight.
2. Push the joysticks slowly, especially the throttle joystick.
3. Disarm the quadcopter (push switch SA down) quickly if the quadcopter becomes out of control or collides with objects.

- Step 5: Land quadcopter steadily and keep it disarmed.



Push Down to Disarm the Quadcopter

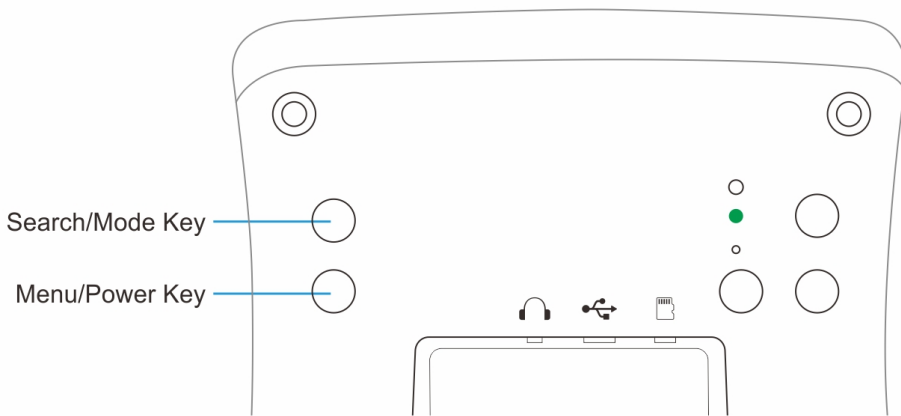
- Step 6: Disconnect and remove battery from quadcopter. A long press of the power button on the remote control radio transmitter will turn it off after two beeps.

## First Person View (FPV)

First-person view (FPV) is the real-time transmission of the camera image to FPV goggles.

- Install antennas and headband on FPV goggles.
- Long press the Menu/Power button. The screen turns on.
- A short press of the Search/Mode button begins the channel search. This takes around 30s to automatically search for a signal if the quadcopter is already turned on. If it is successful, the image from the FPV camera can be seen on the display.

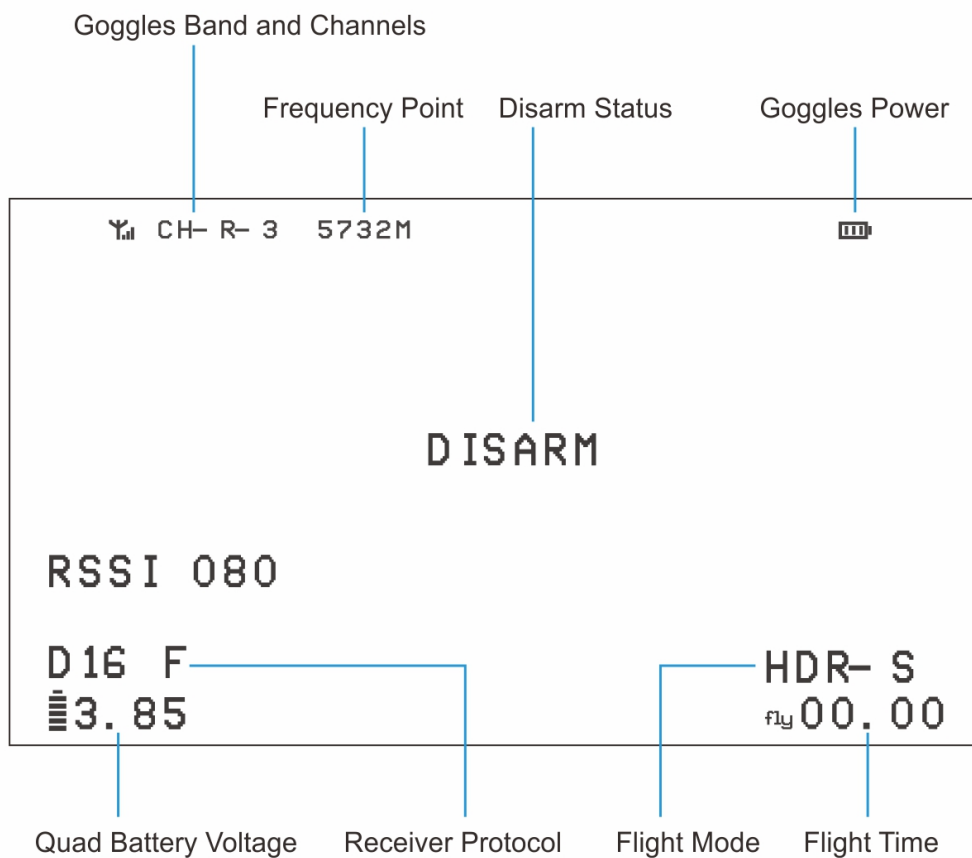
NOTE: Channel search is useful for quickly setting up your quadcopter. However, for best results in flight, manually select band and channel settings on your quadcopter and FPV goggles to ensure they match.



## On-Screen display (OSD) Menu

After band search, the images and flight information are shown on the display. This information is called the On-screen Display (OSD)

chg: 增加对RSSI 080的指示描述: RC RSSI Value



OSD Information:

- Goggle band and channel, frequency and goggle power are shown at the top of the screen.
- "Disarmed" is shown in the middle of screen if the quadcopter is disarmed.
- Receiver protocol, quadcopter battery voltage, remote control RSSI (signal strength), flight mode, and time are shown at the bottom of the screen.

## Flight Modes

The flight mode is displayed at the bottom right of the display, corresponding to the current flight mode of the quadcopter. Choose from 4 different flight modes based on your current needs, environment and flight skill.

1. ACRO-S / Acro mode (Acrobatic mode) : The radio transmitter sticks control the speed of the quadcopter's rotation. When the stick is centered, the quadcopter will maintain its current angle.
2. LEVL-S / Level mode: The radio transmitter sticks control the quadcopter's current angle. When the stick is centered, the quadcopter will return the level flight. Recommended for beginners.
3. HOR-S / Horizon mode: The quadcopter flies like it is in Level mode while the sticks are close to the center. When the sticks are pushed further to the sides, the quadcopter flies like it is in Acro mode.
4. TURTLE / Turtle or "crash flip" mode: When quadcopter is overturned, Turtle mode can power motors in reverse in order to flip the quadcopter back upright.  
*Turtle mode will only activate or deactivate if the quadcopter is disarmed. To enter or exit Turtle mode, disarm the quadcopter, switch to or from Turtle mode, then re-arm.*

Flight modes can be changed by switches SB and SD. Ensure the switches are in the desired position before flight. See "Switch Functions".

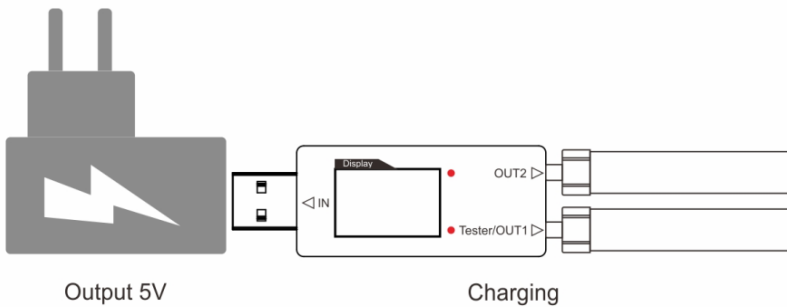
## Battery Charging

Each battery provides 3-4 minutes of smooth flight. When LED light is flashing red, the battery is low. Charge batteries as follows:

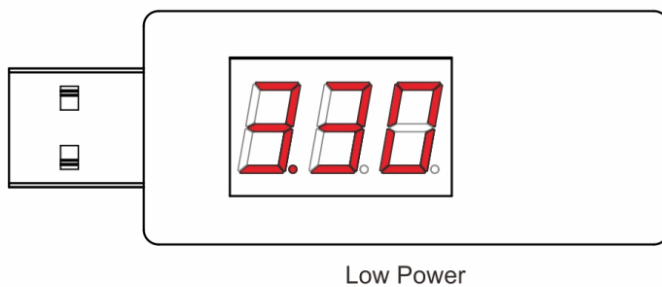
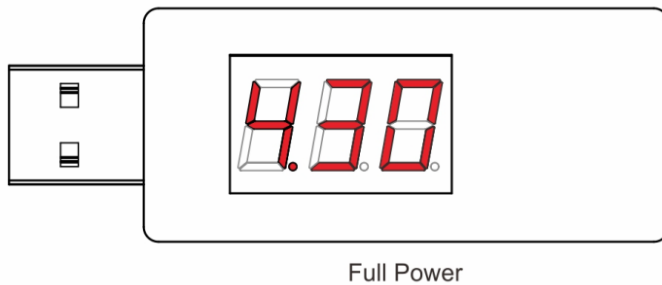
- Connect one or two batteries to the charge.
- Insert the charger into a USB port.

- The charger's LED turns solid red when charging.
- When charger's LED is solid green, battery is charged. Disconnect flight battery from charger.
- Charging a fully discharged (not over-discharged) battery takes approximately 20 minutes.

*Caution : Only use the corresponding charger to charge the Li-Po batteries.*



Use "tester" port to check battery status. 4.30 indicates a fully charged battery while 3.30 indicates the battery is low.

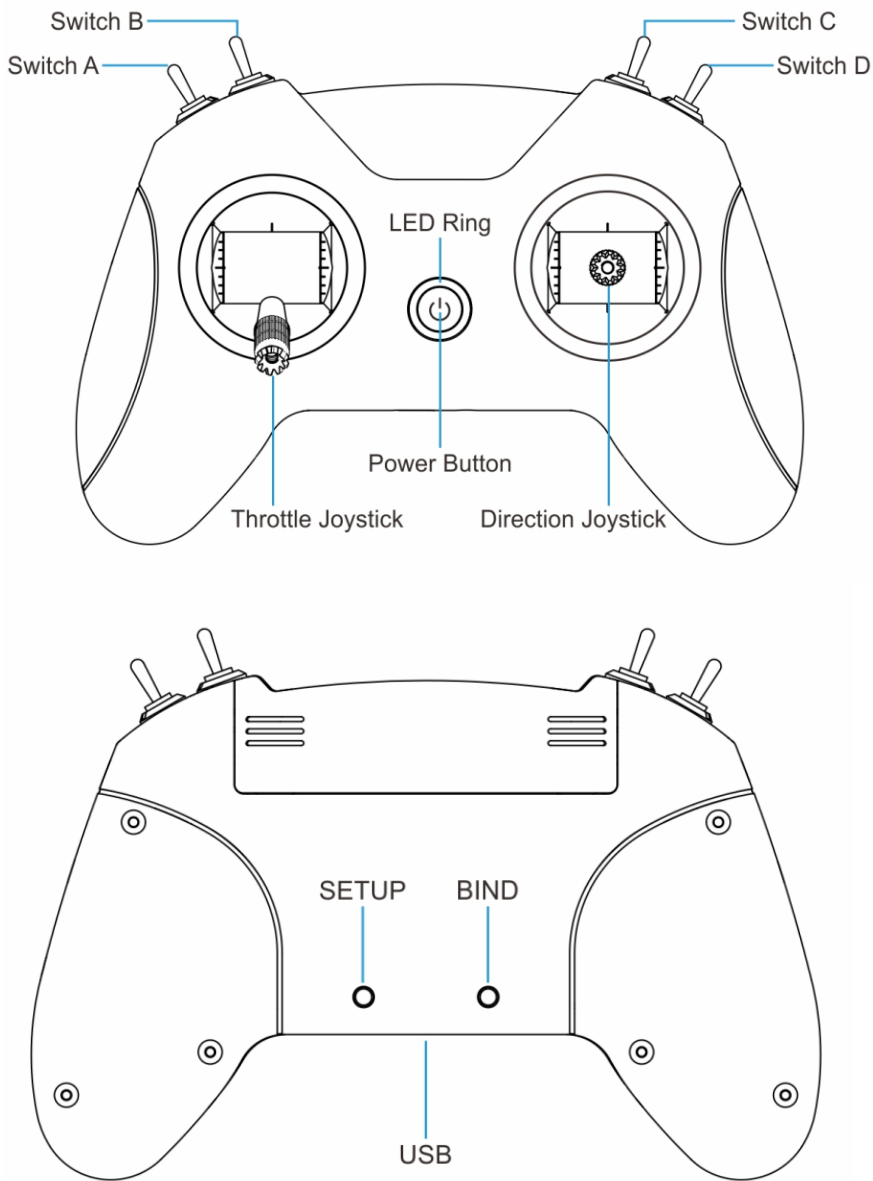


## Remote Control Radio Transmitter

The remote control radio transmitter included in this kit is the

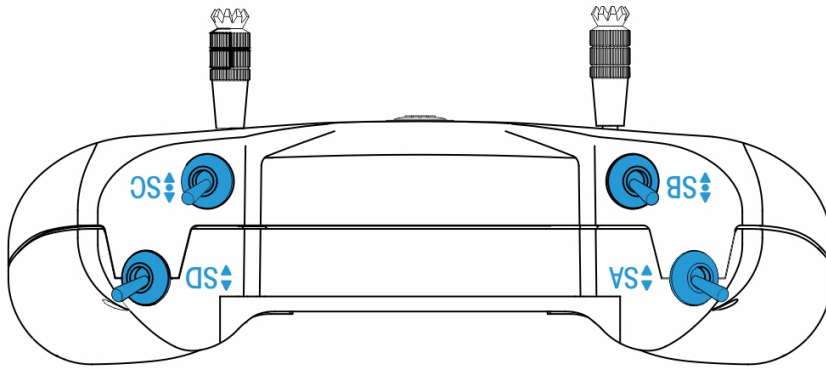


LiteRadio 2 SE model.



## Switch Functions

Four switches are provided on the front of the remote control radio transmitter: switch SA, switch SB, switch SC, and switch SD. The user can change different modes and parameters of the quadcopter with these switches. Please note that switches do not function unless the remote control radio transmitter is connected successfully with the quadcopter.



#### Switch SA: Arm/ Disarm of Quadcopter

- Quadcopter will be disarmed if SA is down.
- Quadcopter attempt to arm if the user moves switch SA up. (Arming may fail if throttle is not at lowest position)

#### Switch SB: Flight Mode of Quadcopter

- The flight mode is "Level mode" if switch SB is down (LEVL-S).
- The flight mode is "Horizon mode" if switch SB is in the middle (HOR-S).
- The flight mode is "Acro mode" if switch SB is up (ACRO-S).

#### Switch SC: VTX Channels of Quadcopter

Change VTX frequency through switch SC. 8 frequency points available. When it goes to the last frequency point (5866), then it goes to the first frequency point (5733) and restart again.

*Available channels follow this sequence:*

*5733/5752/5771/5790/5809/5828/5847/5866 which correspond to band B*

#### Switch SD: Turtle Mode

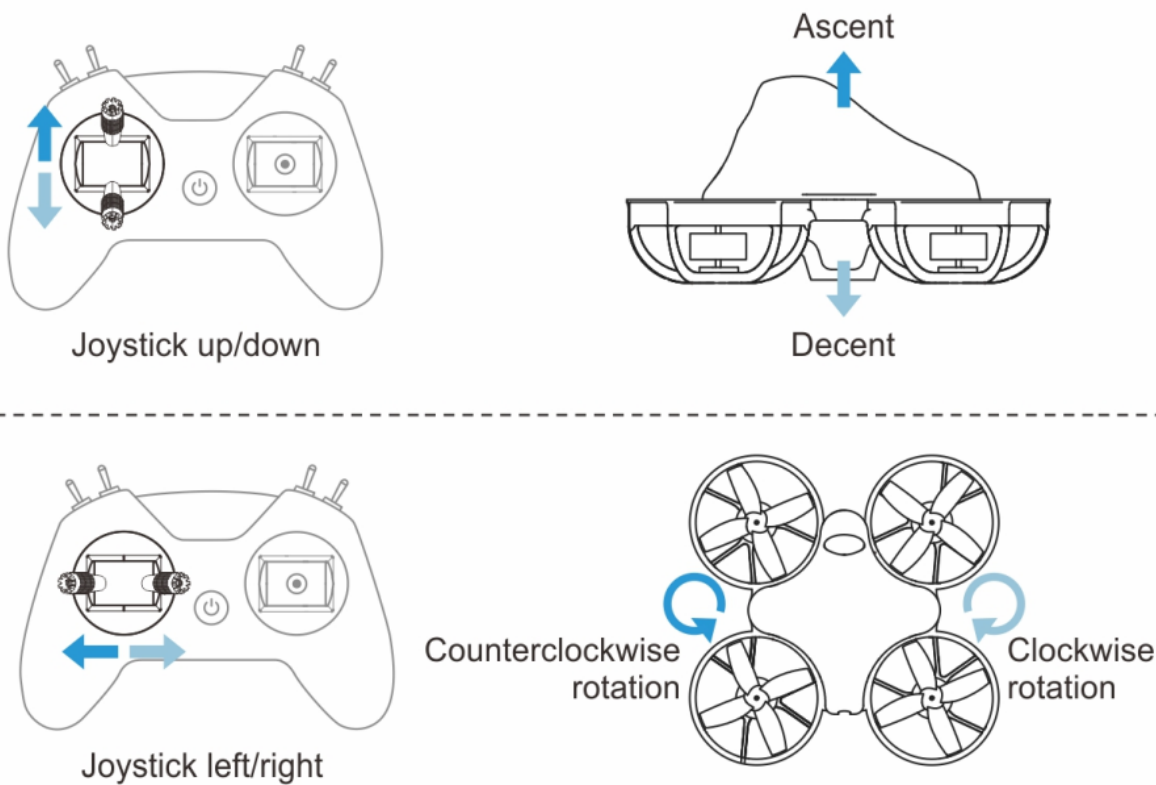
Turtle Mode is only switched on or off when the quadcopter is disarmed.

- Turtle mode is off when arming with switch SD down(normal flight).
- Turtle mode is on when arming with switch SD up.

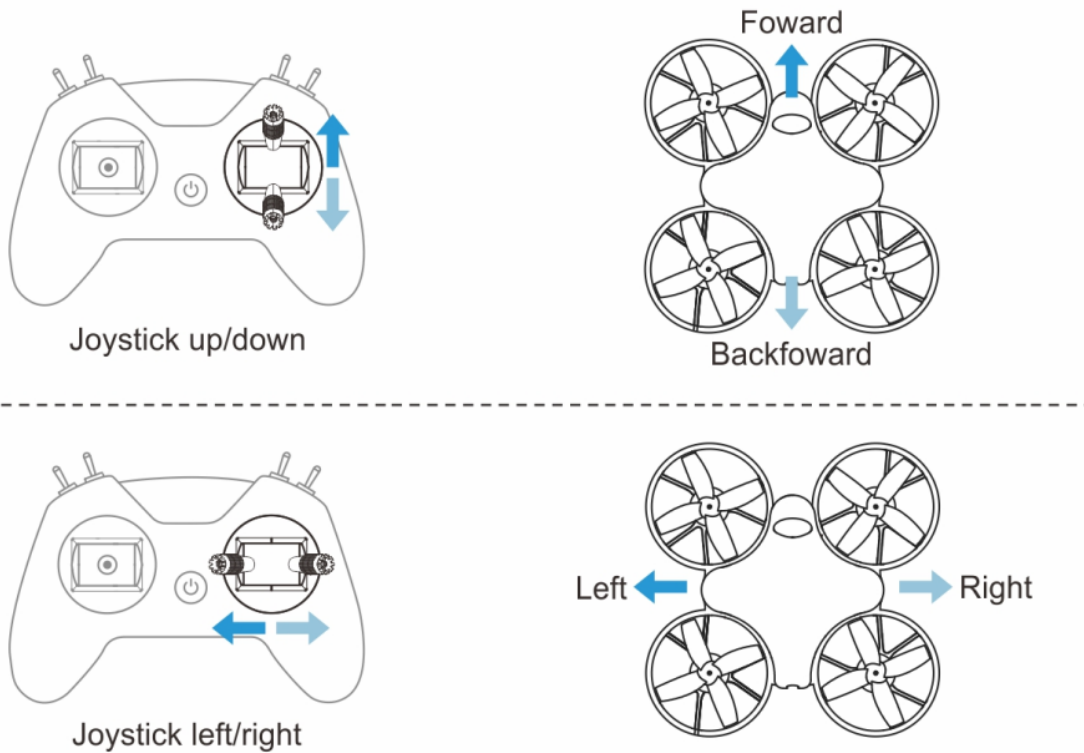
## Joystick Functions

Two joysticks (throttle & direction joysticks) on the front of the remote control radio transmitter, control the quadcopter. (Ascent/ descent, forward/ backward, left/ right tilt, and rotation of flight direction)

Throttle (left) Joystick - Ascent/ descent and rotation.



Direction (right) Joystick - forward/ backward and left/ right tilt.



## Button Functions

There are three buttons on remote control radio transmitter.

- Power button: turns transmitter off/ on.
- BIND button: Enter binding mode after remote control radio transmitter is powered on.
- SETUP button: Enter joystick calibration mode after remote control radio transmitter is powered on.

See "Advanced Settings" for more information on binding or joystick calibration.

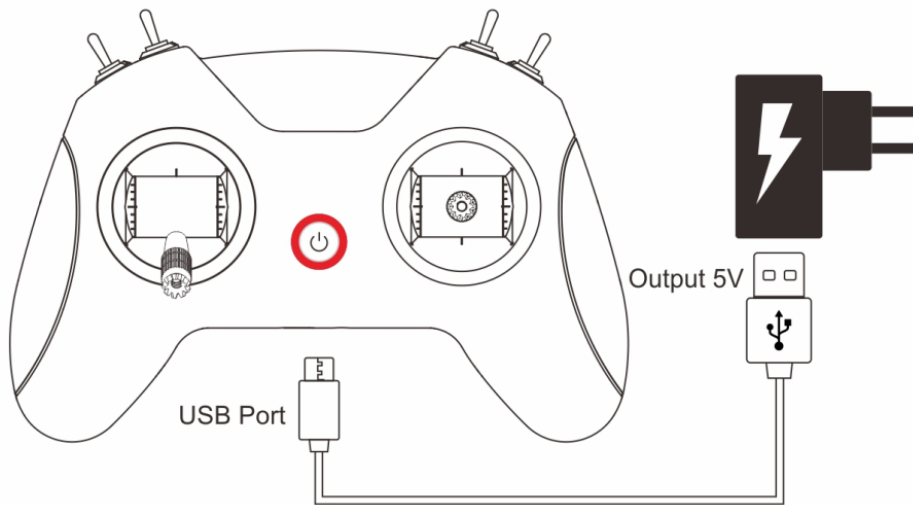
## Charging the Remote Control Radio Transmitter

The remote control radio transmitter has a built-in 1000mAh battery. It indicates a low battery and needs to be re-charged if the blue light flashes slowly. To charge the transmitter batteries:

- Turn off the remote control radio transmitter.
- Plug in the remote control radio transmitter with adapter by USB cable (5V

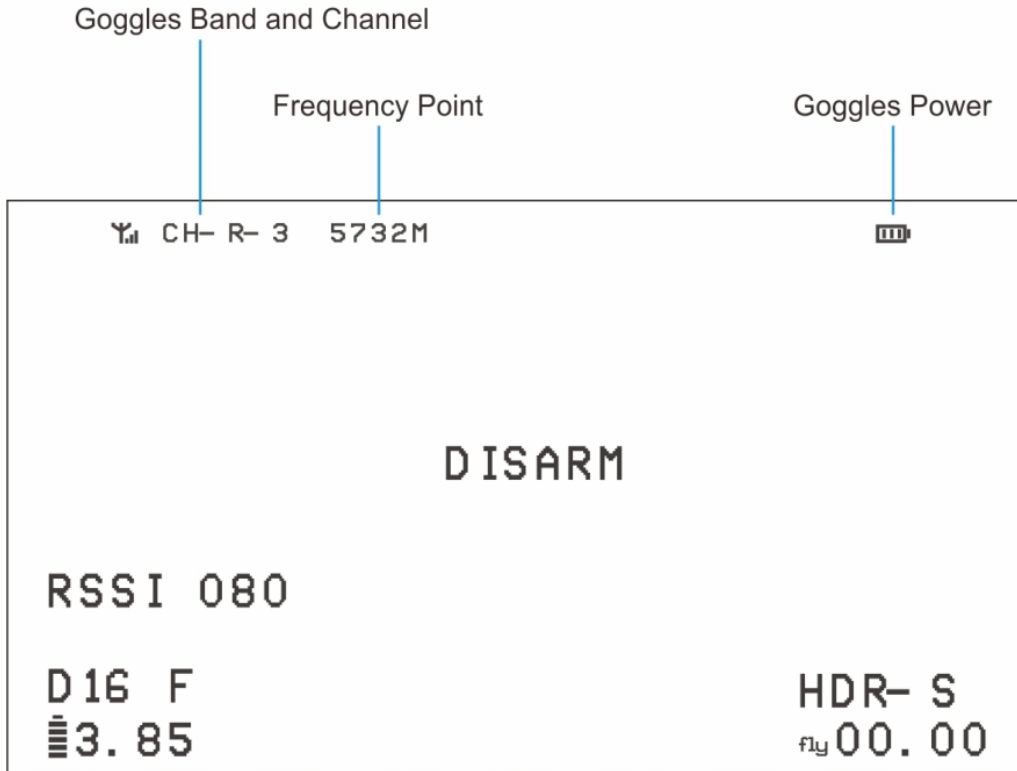
output adapter is allowed).

- A red LED indicates charging, while off means fully charged.

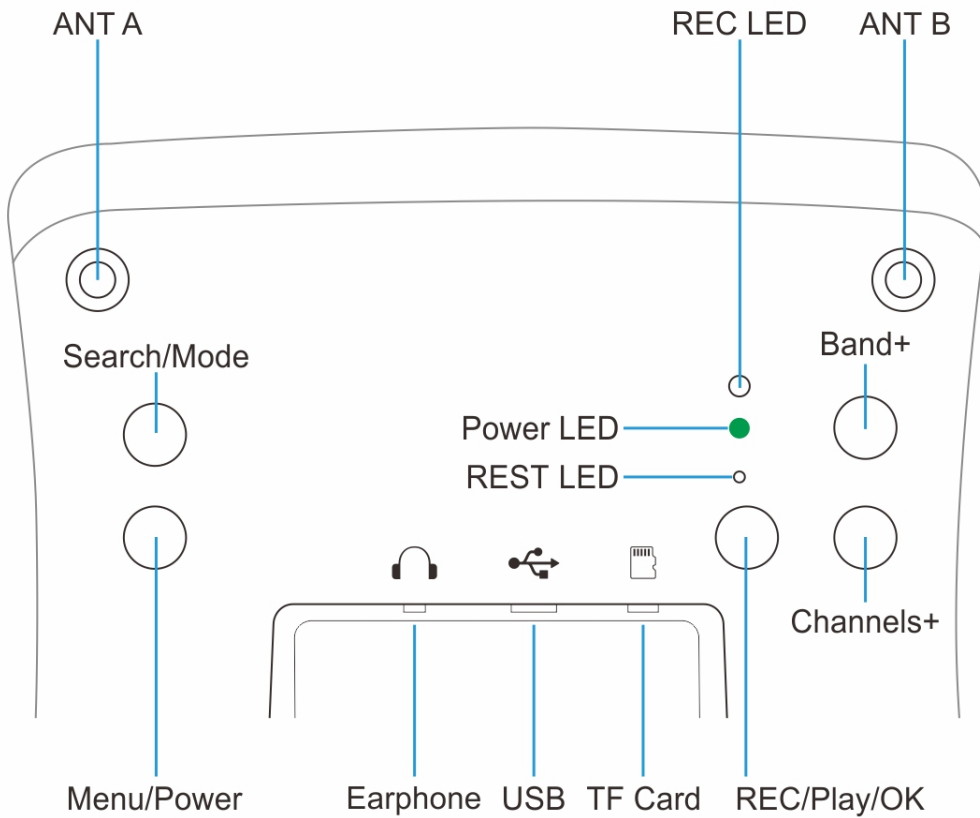


## FPV Goggles

The FPV goggles in this kit are model VR01 model. It receives signals by dual antennas, and supports FPV video recording. The status of the FPV goggles is displayed at the top of the screen.



### Button Operation



- Search/Mode button

A short press of this button will search channels for the strongest video transmitter that's currently powered on. A long press will switch modes between AVMOD(playback) and RFMOD(FPV). In AV/playback mode, press jump volume to adjust OSD.

*The goggles can receive a 5.8GHz video signal from the quadcopter in RF mode, which is used during FPV flight. The AV mode is used to play back the video recorded in the SD card and is rarely used.*

- Menu/Power button

A long press (3s) will power to goggles off or on. A short press will enter the goggles' Menu OSD. While in the OSD, a short press will return or move the cursor down.

- REC/Play/OK button

While viewing an FPV image, short press to start/stop recording and use a long press for playback mode. While in the OSD menu, use to confirm menu selections.

- Band+ button

While viewing an FPV image, short press to change band (cycles through bands A,B,D,E, F,and R). While in the OSD menu, use to change options upward for the selected setting.

- Channel+ button

While viewing an FPV image, short press to cycle through channels 1-8 within the currently selected band. While in the OSD menu, use to change options upward for the selected setting.

## **Band and Channel Selection**

The FPV goggles can receive 40 frequency points in the 5.8GHz spectrum, distributed across 5 bands (A,B,E,F and R)of 8 channels each.

*The quadcopter included in this kit only uses 8 frequency points of band B, which is the second row in table below.*

	CH 1 (MHZ)	CH 2 (MHZ)	CH 3 (MHZ)	CH 4 (MHZ)	CH 5 (MHZ)	CH 6 (MHZ)	CH 7 (MHZ)	CH 8 (MHZ)
A	5865	5845	5825	5805	5785	5765	5745	5725
B	5733	5752	5771	5790	5809	5828	5847	5866
E	5705	5685	5665	5645	5885	5905	5925	5945
F	5740	5760	5780	5800	5820	5840	5860	5880
R	5658	5695	5732	5769	5806	5843	5880	5917

chg: 表格第一列有改变

## REC/Play Function

The VR01 goggles have a DVR which records what user saw in the goggles. The recording process is as follows.

- Plug in one SD card.
- Short press REC/Play/OK. REC light flashes and recording starts.
- Short press REC/Play/OK again. REC light stops flashing and recording ends.
- Copy video files from SD card to computer to play, or play directly within FPV goggles.

Playing videos from the SD card directly on the FPV goggles:

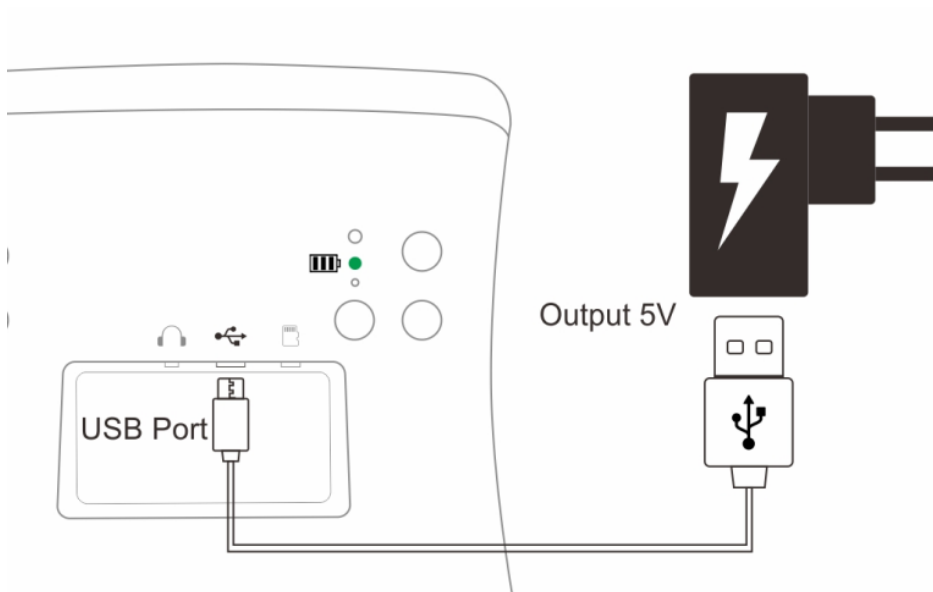
- Turn on FPV goggles. Short press Menu/Power button to enter Menu. Short press again and keep the cursor at DVR low.
- Short press Channels+ button, LOAD DVR appears on the screen while waiting for the video in the SD card to be loaded.
- After the video has loaded, the first recording video appears. Press Channels+ or Band + buttons to select another video.
- Short press REC/Play/OK to play current video.
- Short press Menu/Power to exit video playback interface.



## Charge for FPV Goggles

The FPV goggles have a built-in 2000mAh battery. If the red Power LED flashes slowly, the battery is low and needs to be recharged. To charge goggle battery:

- Turn off FPV goggles.
- Plug in FPV goggles to an adapter via a USB cable (5V output adapter is allowed).
- The power light will be red when charging, while green means fully charged.



## Quadcopter OSD Menu Operation

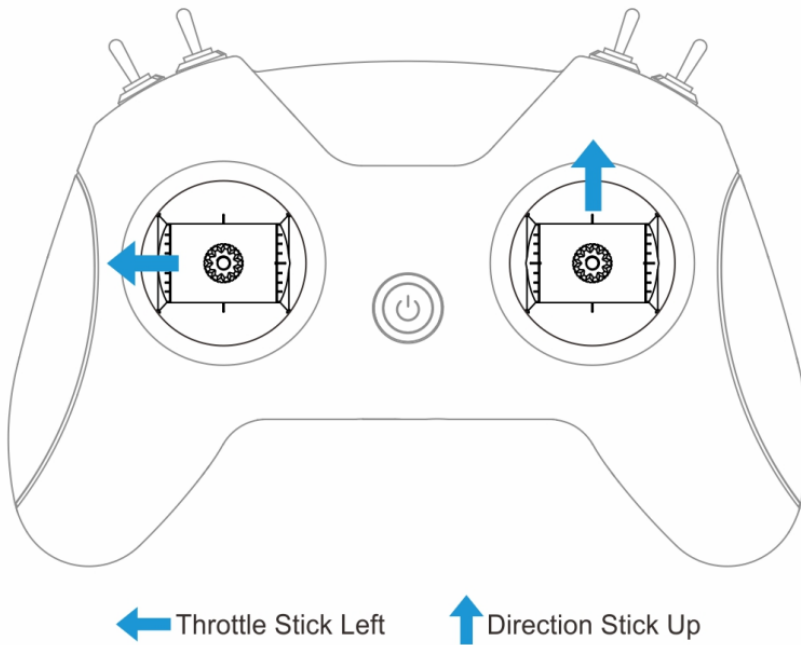
The quadcopter has a separate OSD menu which is used to quadcopter configuration.

- Turning on/off Quadcopter RGB LED Lights.
- Add/Remove Information on OSD Flight Interface.

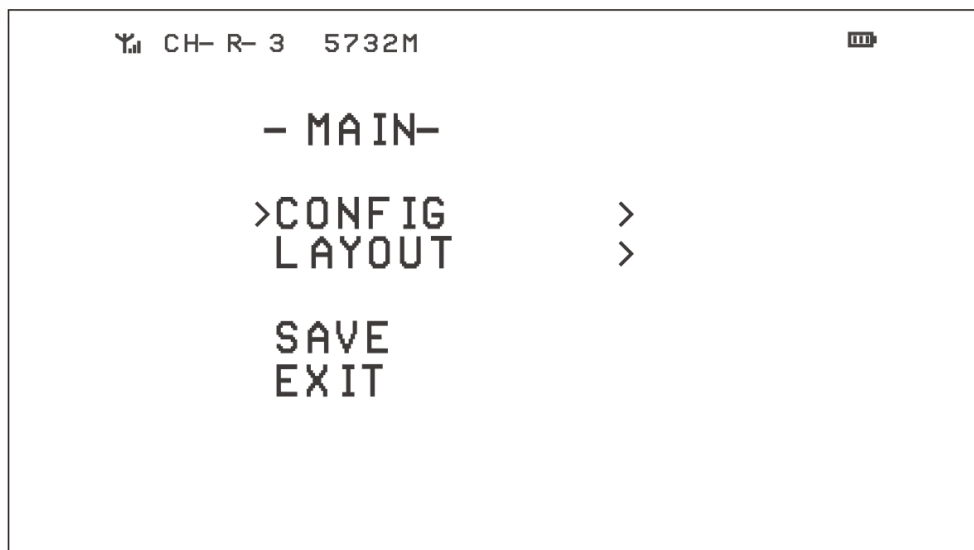
### How to Access/Operate OSD Setting Menu

To access the OSD Setting Menu, disarm the quadcopter. Then place the joysticks in the positions shown below. The throttle joystick is moved to left center and the direction joystick towards the upward center.

*Note: Make sure quadcopter is disarmed before entering OSD menu.*

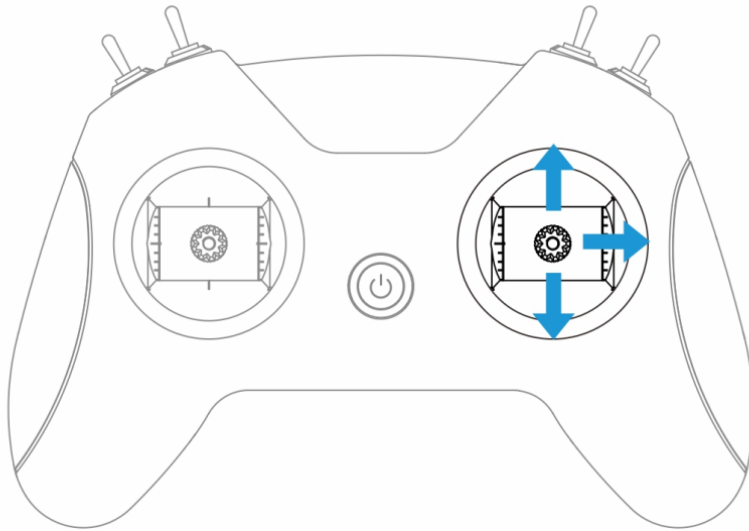


After accessing the OSD menu, the user will see the following menu interface on the FPV screen.



Control the OSD using the right joystick to adjust the cursor and confirm or modify settings.

- Up: the cursor will move up
- Down: the cursor will move down
- Right: confirm/modify selection



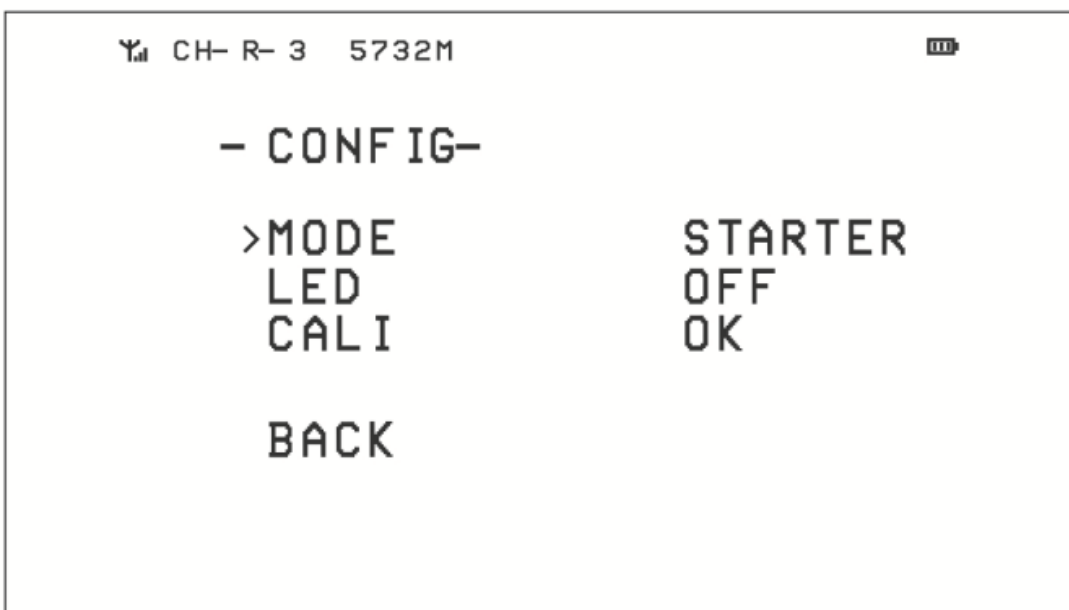
↑ Joystick up: Cursor Move up    ↓ Joystick down: Cursor Move down    → Joystick right: Modification/Confirmation

### Turn on/off Quadcopter RGB LED

The quadcopter Status LED light is normally solid blue when flying. This can be changed to color cycling:

- In -MAIN- menu, select CONFIG and enter the -CONFIG- menu.
- Select LED, select OFF(for solid blue) or ON(for RGB color cycling effect).
- Select BACK to exit CONFIG sub-menu.
- Select SAVE in the MAIN menu to save changes and exit the OSD.

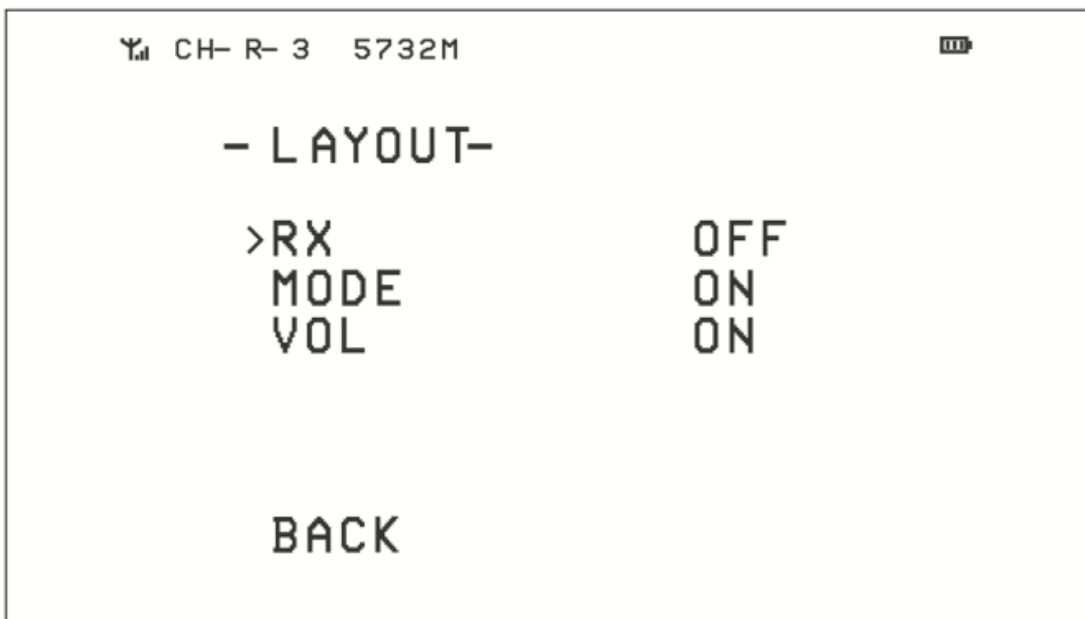
chg: 把光标移到LED所在的行



## OSD Flight Interface Information

You can customize the information displayed on the in-flight OSD including receiver mode, flight mode, and battery voltage.

- In the -MAIN- menu, select LAYOUT and enter the -LAYOUT- menu.
- Select the desired item to change, OFF will make the item invisible and, ON will show the item on the OSD.
- Select SAVE in the MAIN menu to save changes and exit the OSD.

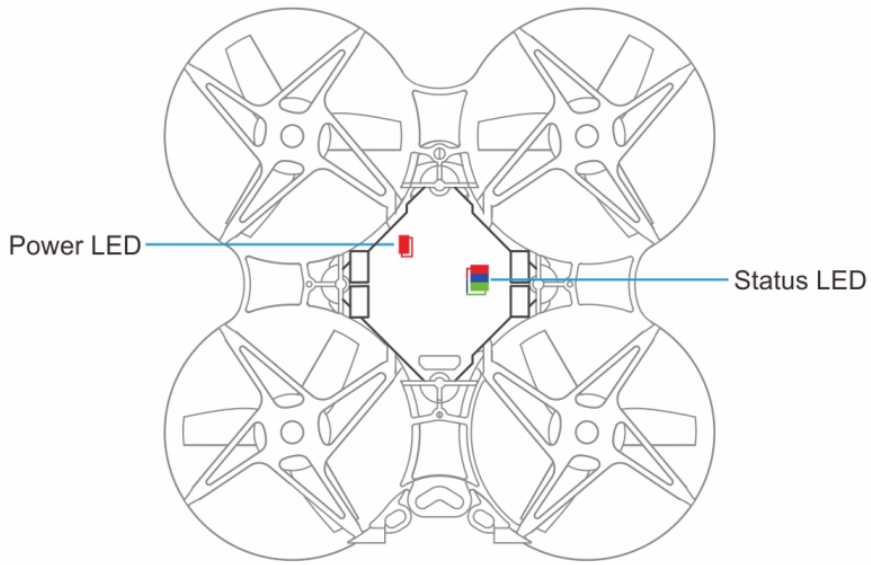


## LED Light/Beep Status Codes

### Quadcopter LED Light & Beep Status Codes

There are red Power LED and RGB Status LEDs on the bottom of the quadcopter.

- Red Power LED indicates whether quadcopter is normally powered on.
- RGB Status LED indicates the status of quadcopter according to the table below.



Power LED Color	Power LED Status	Status Explanation
RED	Keep on	Quad Power on
RED	off	Quad Power Abnormal

Status LED Color	Indicator LED Status	Status Explanation	Solution
RED	Intermittent flashing Twice	Quad Battery Low	Need to Replace Battery
BLUE	Keep on	Quad & Remote control radio transmitter Connection-Successful	
GREEN	Intermittent Flashing Six Times	Quad Enter Frequency Matching Model (Binding)	
WHITE	Slowly Flashing	Throttle Joystick not at Lowest Position When Arming	Re-Disarming & Throttle Joystick Lowest Position

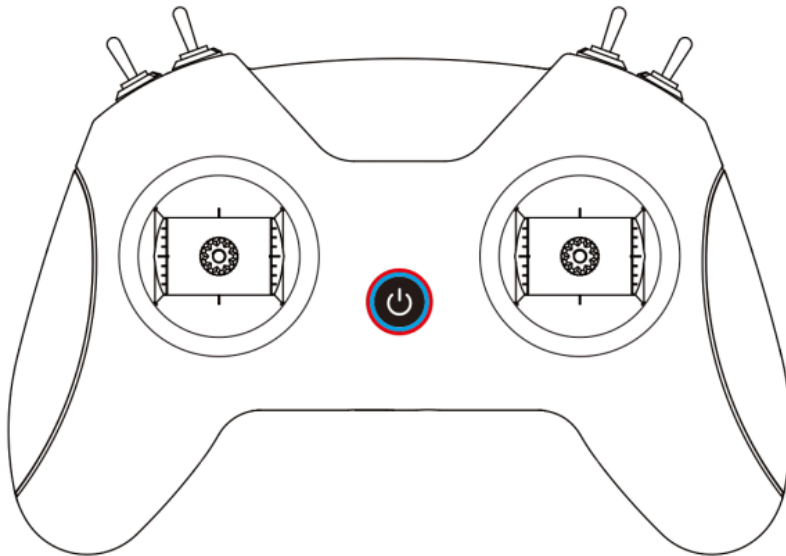
			Arming Again
AMBER	Slowly Flashing	Quad Lost Remote Control Radio Transmitter Signal	Re-Connect Quad Remote Control Radio Transmitter

When the quadcopter is powered on, there are beeping sounds which identify its status.

Tone sequence	Status
Three short tones	Quad power is on
Two short tones	Quad initialization has completed
Continuous beeping	Quad has not been operated for 10 minutes

## Remote Control Radio Transmitter LED Light & Beep Status Codes

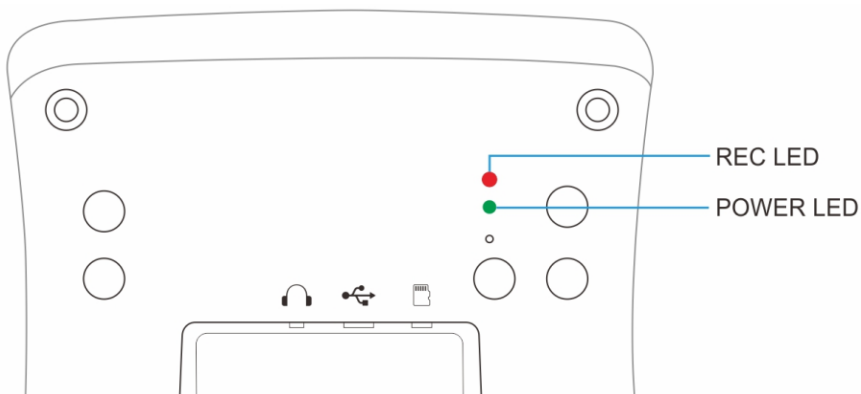
There is a blue & red LED indicator light around the power button which indicates the status of remote control radio transmitter.



Indicator LED Color	Status	Solution
Red LED stays on	Throttle joystick is not in the lowest position when starting up	Move throttle joystick to the lowest position
Red LED flashing quickly	Transmitter binding mode is in process	Wait for binding to complete
Blue LED flashing slowly	Battery voltage is too low	Charge remote control radio transmitter

## FPV Goggles LED Light Status Codes

The FPV Goggles have two LED indicator lights which indicate battery power & recording status.



Power Indicator Light	Status Explanation
Red stays on	Charging
Green stays on	Fully Charged

Recording Indicator Light	Status Explanation
---------------------------	--------------------

Red Flashing	Recording
Off	Not recording

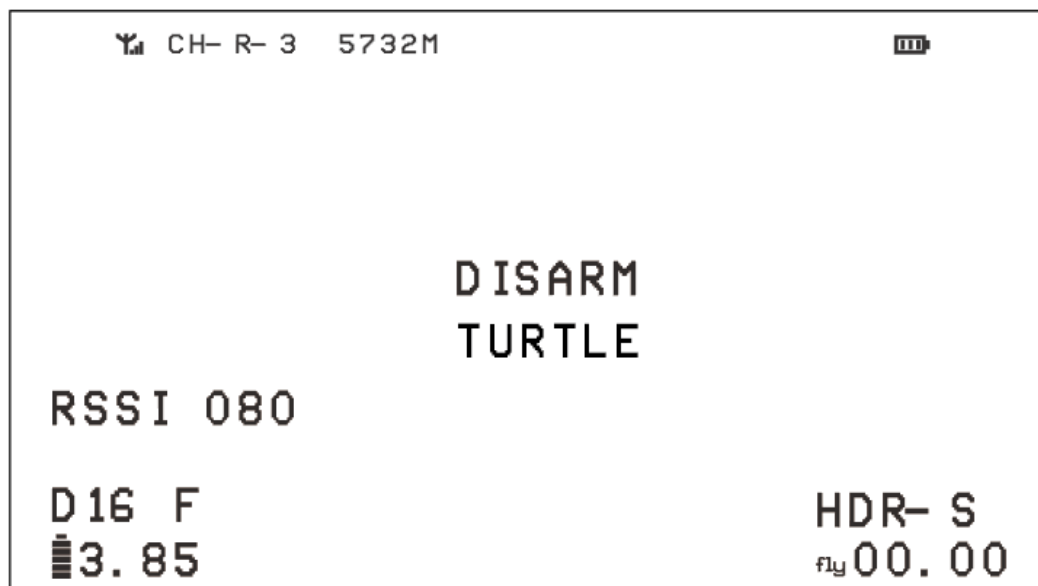
## Advanced Settings

This RTF kit has most settings prepared by default. Additional advanced settings are available in case the user wants to change parts or connect with other equipment.

## Turtle Mode

The quadcopter can flip itself over via turtle mode when it is upside-down.

- Move switch SA down to disarm quadcopter.
- Move switch SD up to enable turtle mode "TURTLE" appears in the OSD display. As following picture shows.
- Move the direction joystick in any direction. Two motors turn on to flip the quadcopter over.
- Move switch SD down to close turtle mode.
- Disarm and re-arm the quadcopter for normal flying.



*When the quadcopter is upside-down on grass, carpets, or other textiles, debris can*



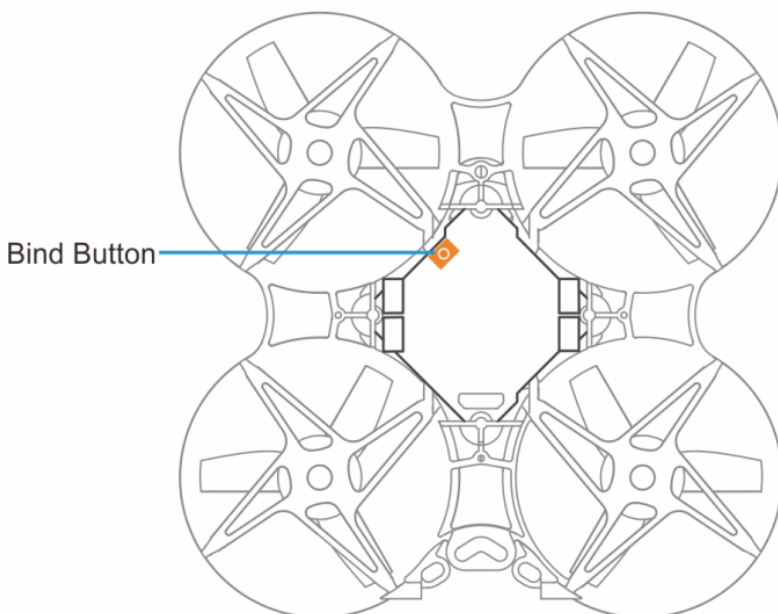
*easily jam the motor. If Turtle Mode is used excessively while jammed, it will cause damage to the quadcopter. Turtle mode is recommended only on relatively flat ground.*

## Re-bind for Quadcopter

If the quadcopter and transmitter cannot be connected successfully, the user may need to re-bind the two. This can happen when replacing new electronic parts of the quadcopter during maintenance or upgrading the remote control radio transmitter.

How to Re-bind:

- Power on the quadcopter and wait for its system to load completely.
- Press the bind button on quadcopter with a screwdriver. The status light will turn green and flash 6 times in a cycle.
- Power on the remote control radio transmitter and wait for its system to load completely.
- Press the bind button on the back of the remote control radio transmitter with a screwdriver. The power indicator will flash red.
- If re-bind is successful, quadcopter status light will change to blue.



## Remote Control Radio Transmitter Calibration

After repeated use or if the controller is subjected to physical impact, the joystick

may no longer read correctly and require recalibration.

- After powering on, press the setup button on the back of the remote control radio transmitter. The transmitter will beep twice and the LED will quickly flash red twice. The remote control radio transmitter has entered calibration mode.
- Move throttle joystick and direction joystick to middle position. Press Setup button again and wait until transmitter beeps three times. The red LED will flash twice quickly. This indicates joystick center data has been acquired.
- Slowly rotate the throttle and direction joystick twice around the boundary of the joysticks(once counterclockwise and once clockwise), then press SETUP button again. The transmitter will beep once for about 3 seconds and the LED will stop flashing. Calibration has completed successfully.

## Supplement

### Warning & Security

- Move the throttle joystick as gently as possible to avoid the quadcopter ascending and descending too suddenly.
- Push switch SA down on remote control radio transmitter immediately if the quadcopter collides with any object.
- Please try to keep motors perpendicular to the body, otherwise flight performance will be degraded.
- Learn to control the quadcopter proficiently, before flying in a larger area.
- Battery life can be significantly reduced if you continue to fly after the low voltage warning is shown.
- Do not fly in rain. Humidity may cause unstable flight or loss of control.
- Keep battery away from water. If flight controller touches water, a short circuit may occur and flight controller may burn out.
- Do not fly in inclement weather or thunderstorm.
- Do not fly in areas that are not permitted by local law.

### Precautions for Battery Use and Charging

- Do not immerse battery in water. Store in a dry area if not used for a long time.
- Keep away from children. If swallowed, seek medical attention immediately.

- Do not use or store battery near heat sources, microwave ovens, or open flame.
- Only use a battery charger that meets the specifications when charging.
- Do not throw battery into fire or heat the battery.
- Do not use or store battery in an extremely hot environment, such as in a car under direct sunlight or hot weather. Overheating affects the performance of battery and shortens the service life of the battery. Overheated batteries can may also catch fire.
- If battery has a peculiar smell, heat, deformation, discoloration or any other abnormal phenomenon, stop using the battery. Recycle and replace the battery.
- If battery connector gets dirty, please wipe it with a dry cloth before use. Avoid getting battery contacts dirty, which can cause energy loss or failure to charge.
- Disposing of battery randomly may cause a fire. Please fully discharge the battery and use insulating tape to dispose of the battery output connector before disposing of the battery. Refer to local regulations before disposing or recycling a battery.

## After-sale Service

- Warranty: All defective merchandise, unless otherwise indicated, may be returned for a replacement within 30 days from the goods received date. We cannot provide refunds or replacements beyond 30 days.
- If the product is confirmed to have a quality problem (product design or quality issues), we will replace it or provide a refund for free.
- All warranty replacements are required to have photos or videos and a detailed description. Warranty does not cover physically damaged merchandise. We are willing to figure out the best solutions, as always.
- For after-sale service, please reach out via e-mail: [Support@betafpv.com](mailto:Support@betafpv.com)

*This clause only applies to the products manufactured by BETAFPV and sold by BETAFPV authorized dealers*

*The specific interpretation rights of this clause belong to BETAFPV.*

## FAQ

### How to Replace Propellers

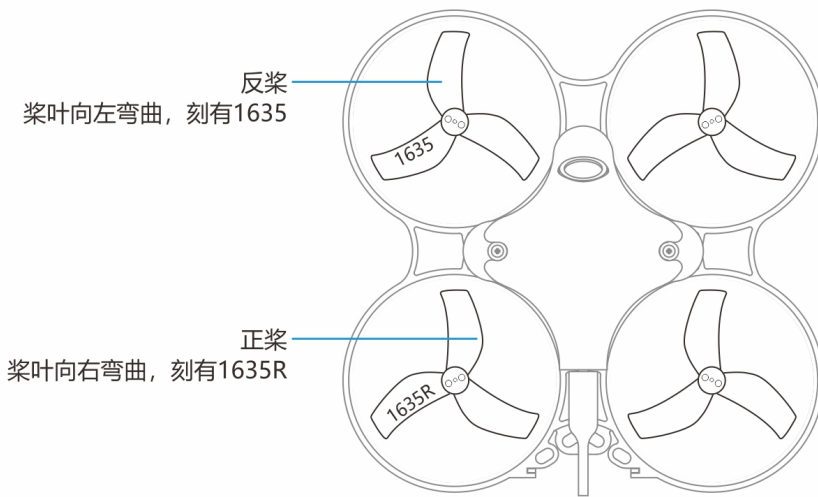
Propellers can be deformed or fall off when quadcopter collides with an object. Bent or missing propellers need to be replaced.

Use the included propeller removal tool to remove propellers from the motor.

Please hold the motor instead of the frame duct with your hand when removing propellers to protect the frame from being deformed by overexertion.

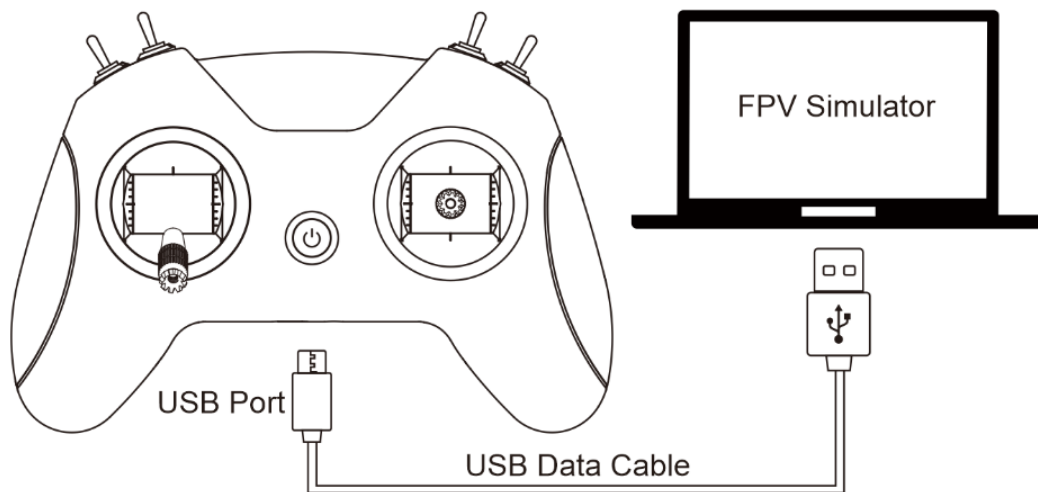
4 spare propellers are included: two each clockwise (CW) and counterclockwise (CCW). CW propeller is marked 1635R and rotates clockwise. It is used on the front right or rear left motor. CCW propeller is marked 1635 and rotates counterclockwise. It is used on the front left or rear right motor. Install as in the diagram below.

chg: 是1635, 不是1365.



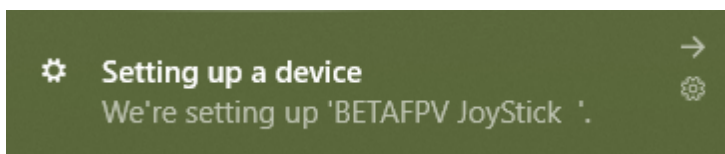
## How to Use FPV Simulator

The safest and quickest method to get started is to use an FPV simulator. The LiteRadio 2 SE remote control radio transmitter supports most FPV simulators on the market with a comprehensive configuration.



To connect your radio

- Turn on remote control radio transmitter and wait for the blue light to show.
- Connect the remote control radio transmitter to PC by USB cable.
- The correct driver will install automatically. A box pops up to confirm successful installation.



## Bluetooth & other devices

Other devices

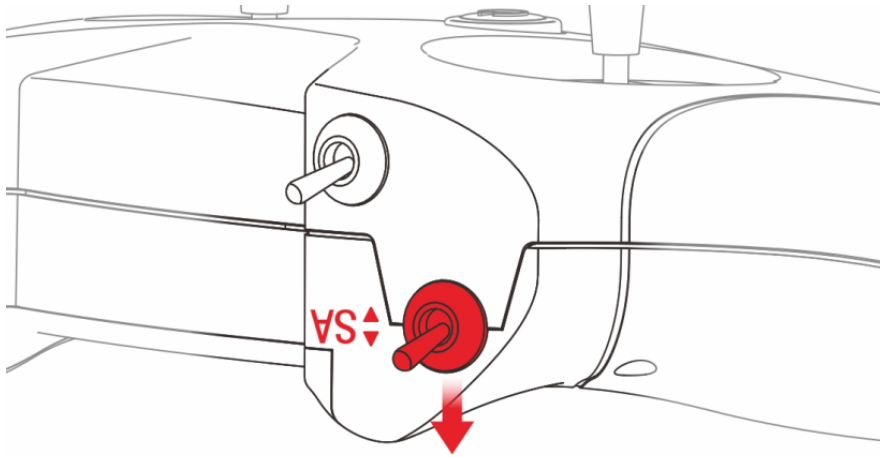


If the automatic install fails, you will need to install the driver manually.

## How to Stop After a Collision

Push down on switch SA on the remote control radio transmitter immediately once the quadcopter collides with an object.

*Caution: Push down switch SA immediately when the quadcopter is hit or the propellers scratch against the frame duct.*



Push Down to Disarm the Quadcopter